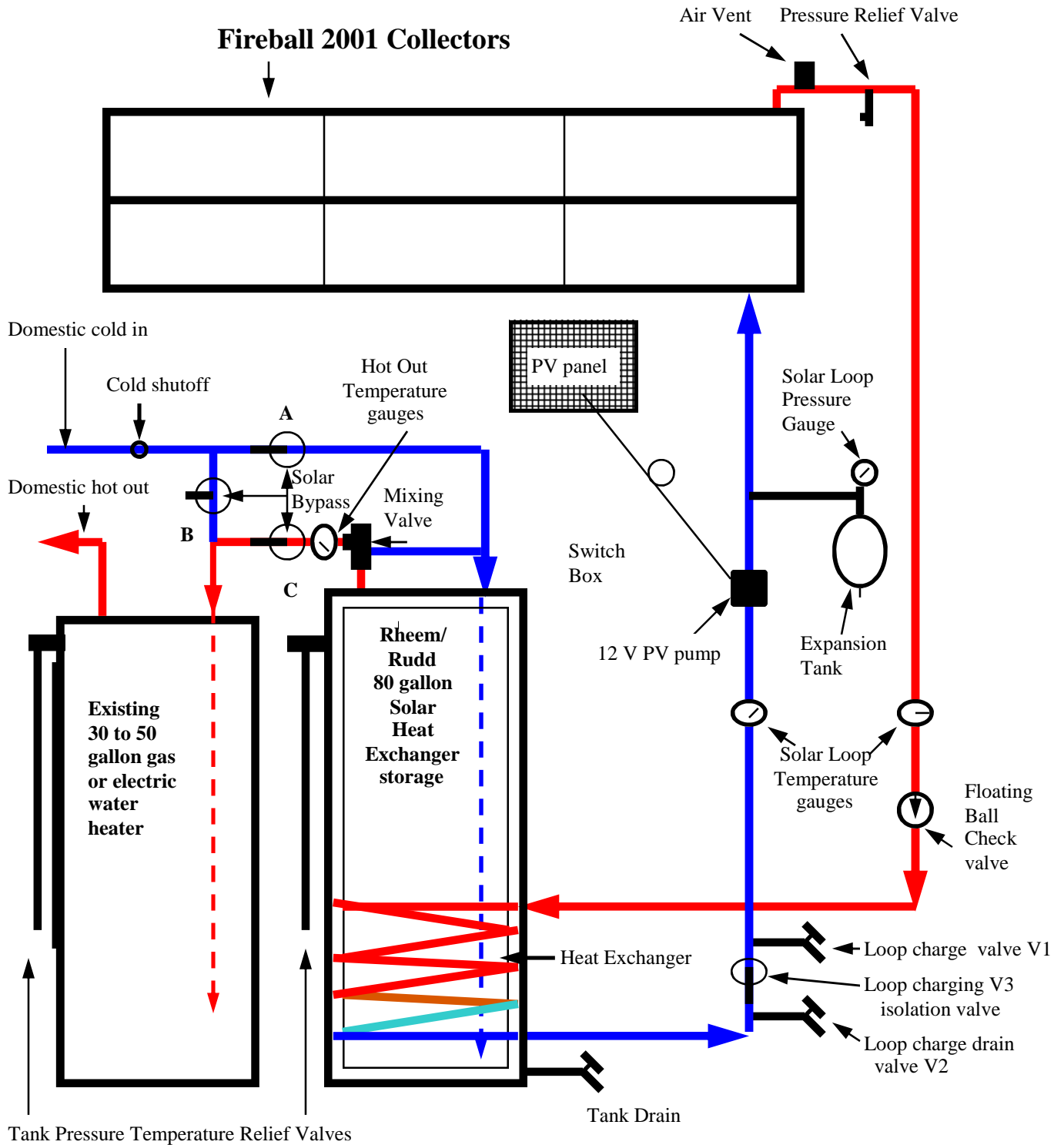


Models: 200152C80EX2TG, 3TG, 2TE and 3TE



SRCC Required Solar Bypass Valves

Normal Solar Operation: A, and C are Open and B is Closed

Solar Tank bypass: A, and C are Closed and B is Open