
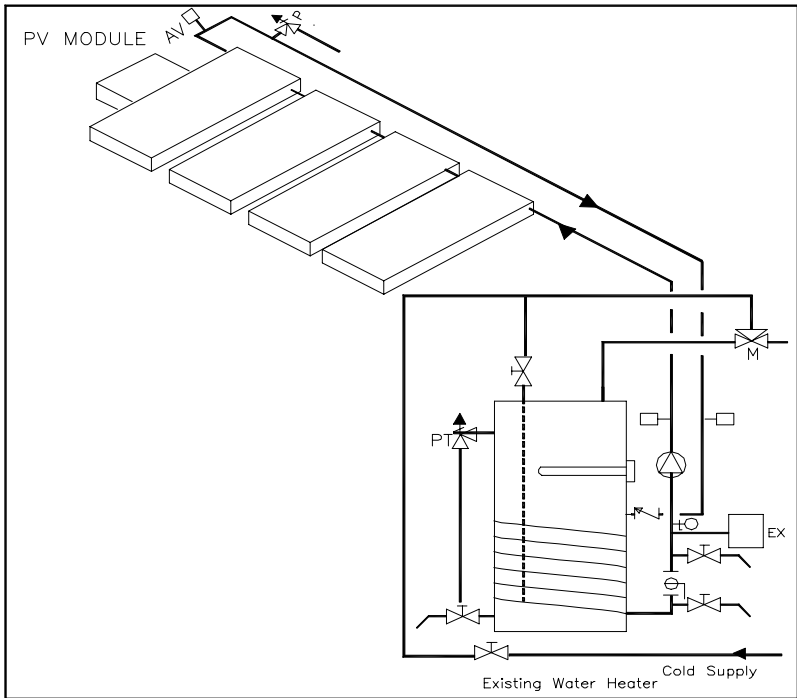


<p>SOLAR WATER HEATING SYSTEMS CERTIFICATION AND RATING</p>  <p>SRCC OG-300</p>	<p><u>CERTIFIED SOLAR WATER HEATING SYSTEM</u></p> <p>SUPPLIER: ACR Solar International 5840 Gibbons Dr. Suite G Carmichael, CA 95608 (916) 481-7200 (916) 481-7203 Fax (888) 801-9060</p> <p>SYSTEM NAME: Skyline System 5 SYSTEM TYPE: Direct Forced Circulation</p>
--	---

Description: Glazed Flat-Plate Collector, Photovoltaic Panel Controller, Tank Wrap Around Heat Exchanger with a Double Wall and Positive Leak Detection, No Load Side Heat Exchanger, Fluid Class II, Freeze Tolerance: -47.7 C (-54 F), Electric Auxiliary Tank

System Model Name	Cert 300-#	Cert Date	Collector Panel Manufacturer	Collector Panel Name	Total Panel Area (Sq-m)	Total Panel Area (Sq-ft)	Solar Tank Vol (l)	Solar Tank Vol (gal)	Aux Tank Vol (l)	Aux Tank Vol (gal)	SEF
200154C80EX	2000007C	2/15/2001	ACR Solar International	20-01	7.5	80.3	303	80			2.6



OG300 System Reference: 2000007C

April 2008

Certification must be renewed annually. For current status contact:
 SOLAR RATING & CERTIFICATION CORPORATION

c/o FSEC ♦ 1679 Clearlake Road ♦ Cocoa, FL 32922 ♦ (321) 638-1537 ♦ Fax (321) 638-1010